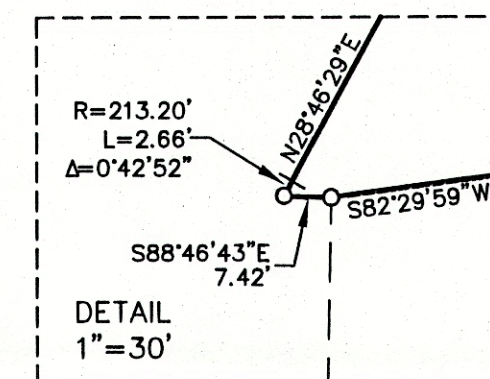


RECORD OF SURVEY
 A PORTION OF THE SW 1/4 OF THE NE 1/4 OF SEC. 4,
 TOWNSHIP 19 NORTH, RANGE 15 EAST, W.M.,
 KITTITAS COUNTY, WASHINGTON

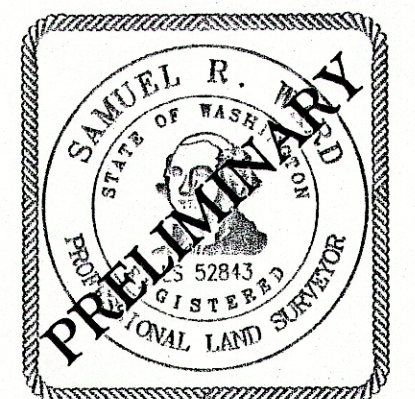
NOTES:

1. THE PURPOSE OF THIS SURVEY IS TO ADJUST THE BOUNDARY LINES OF LOT 2A AS RECORDED IN BOOK 37 OF SURVEYS AT PAGE 201, UNDER AUDITOR'S FILE NO. 201110270036 AND LOT 1 AS RECORDED IN BOOK 37 OF SURVEYS AT PAGE 11, UNDER AUDITOR'S FILE NO. 201004270027, RECORDS OF KITTITAS COUNTY, STATE OF WASHINGTON, TO THE CONFIGURATION SHOWN HEREON.
 2. THIS SURVEY WAS PERFORMED USING A TRIMBLE S6, 3" TOTAL STATION WITH RESULTING ACCURACY THAT MEETS OR EXCEEDS STANDARDS PER WAC 332-130-090.
 3. THIS SURVEY DOES NOT PURPORT TO SHOW ALL EASEMENTS, ENCUMBRANCES OR RESTRICTIONS OF RECORD OR OTHERWISE.
 4. THE BASIS OF BEARINGS FOR THIS SURVEY IS THE SAME AS THAT ESTABLISHED ON THE SURVEY FILED IN BOOK 37 OF SURVEYS, PAGE 201, RECORDS OF KITTITAS COUNTY, STATE OF WASHINGTON.
 5. FOR ADDITIONAL SURVEY INFORMATION, SEE THE FOLLOWING:
 - BOOK 19 OF SURVEYS, PAGES 213, AFN: 565960
 - BOOK 32 OF SURVEYS, PAGE 124, AFN: 20060310033
 - BOOK 37 OF SURVEYS, PAGE 11, AFN: 201004270027
 - BOOK 37 OF SURVEYS, PAGE 201, AFN: 201110270036
- AND THE SURVEYS REFERENCED THEREON, ALL RECORDS OF KITTITAS COUNTY, STATE OF WASHINGTON.

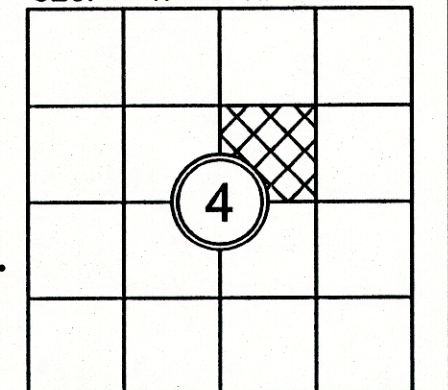


LEGEND

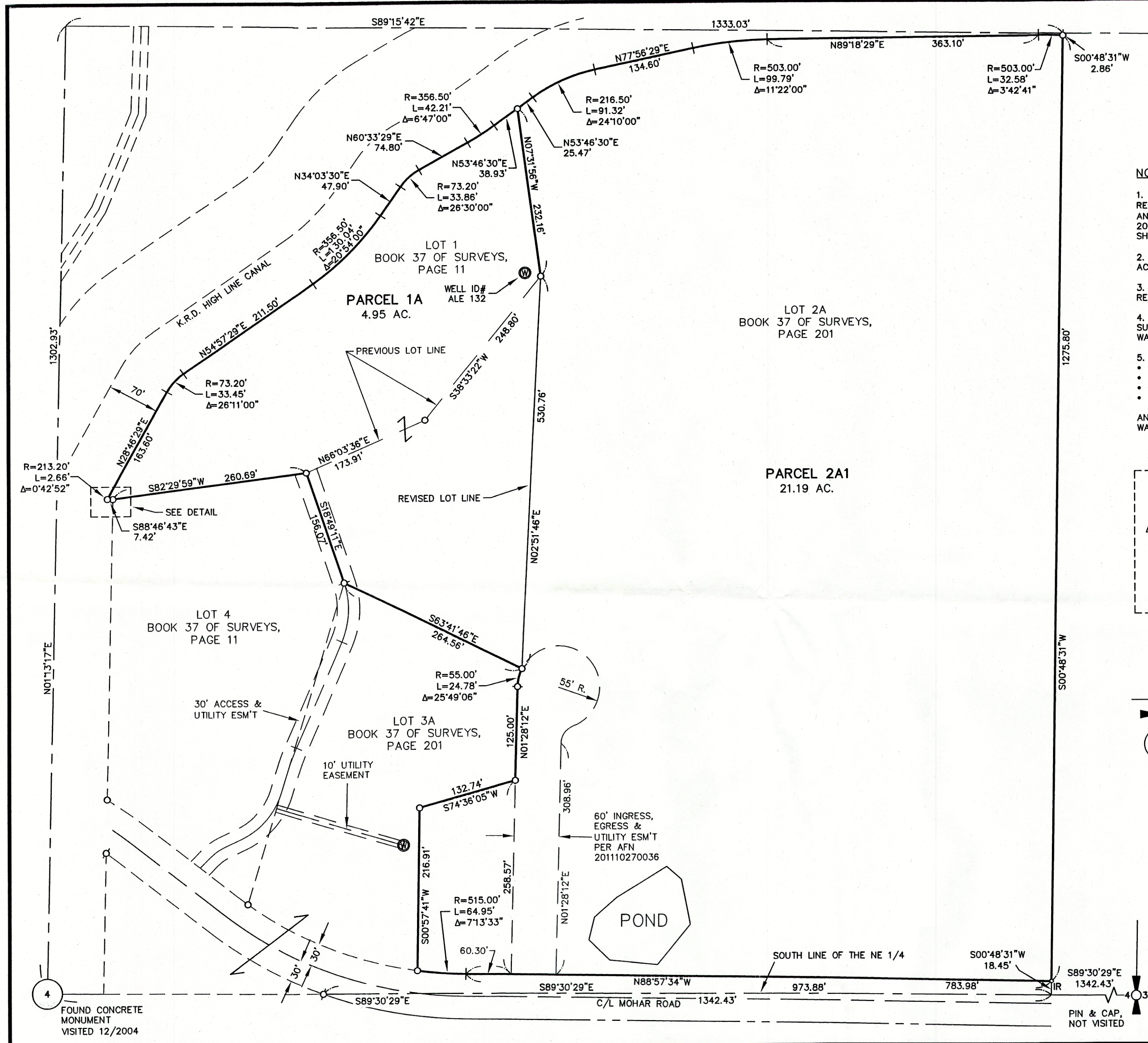
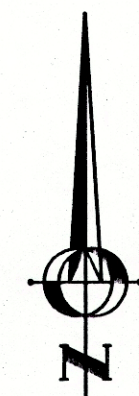
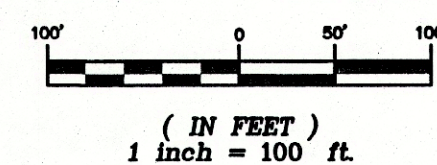
- QUARTER CORNER
- CENTER OF SECTION
- FOUND IRON ROD & CAP
- FOUND IRON ROD, NO CAP
- SET 5/8" IRON ROD & CAP, LS 45503
- EXISTING WELL



INDEX LOCATION
 SEC. 4 T. 19 N.R. 15 E. W.M.



GRAPHIC SCALE



AUDITOR'S CERTIFICATE

FILED FOR RECORD THIS ____ DAY OF ____ 20__ AT ____ M.
 IN BOOK ____ OF ____ AT PAGE ____ AT THE REQUEST OF
 SAMUEL R. WARD
 SURVEYOR'S NAME
 JERALD V. PETTIT
 County Auditor

Deputy County Auditor

SURVEYOR'S CERTIFICATE

THIS MAP CORRECTLY REPRESENTS A SURVEY MADE BY ME OR UNDER MY DIRECTION IN CONFORMANCE WITH THE REQUIREMENTS OF THE SURVEY RECORDING ACT AT THE REQUEST OF PETER KOHL
 IN AUGUST 20 17.

SAMUEL R. WARD DATE
 CERTIFICATE NO. 52843

Encompass
 ENGINEERING & SURVEYING

Western Washington Division
 165 NE Juniper Street, Suite 201 • Issaquah, WA 98027 • Phone: (425) 392-0250 • Fax: (425) 391-3055

Eastern Washington Division
 407 Swiftwater Blvd. • Cle Elum, WA 98922 • Phone: (509) 674-7433 • Fax: (509) 674-7419

BOUNDARY LINE ADJUSTMENT
 PREPARED FOR
 PETER KOHL
 A PORTION OF THE SW 1/4 OF THE NE 1/4 OF SECTION 4,
 TOWNSHIP 19 NORTH, RANGE 15 EAST, W.M.

| | | |
|-----------------|---------|------------|
| KITTITAS COUNTY | | WASHINGTON |
| DWN BY | DATE | JOB NO. |
| G. WEISER | 08/2017 | 046901 |
| CHKD BY | SCALE | SHEET |
| S. WARD | 1"=100' | 1 OF 2 |